

DL Agromaster Semitrailer with a Loader-Crane

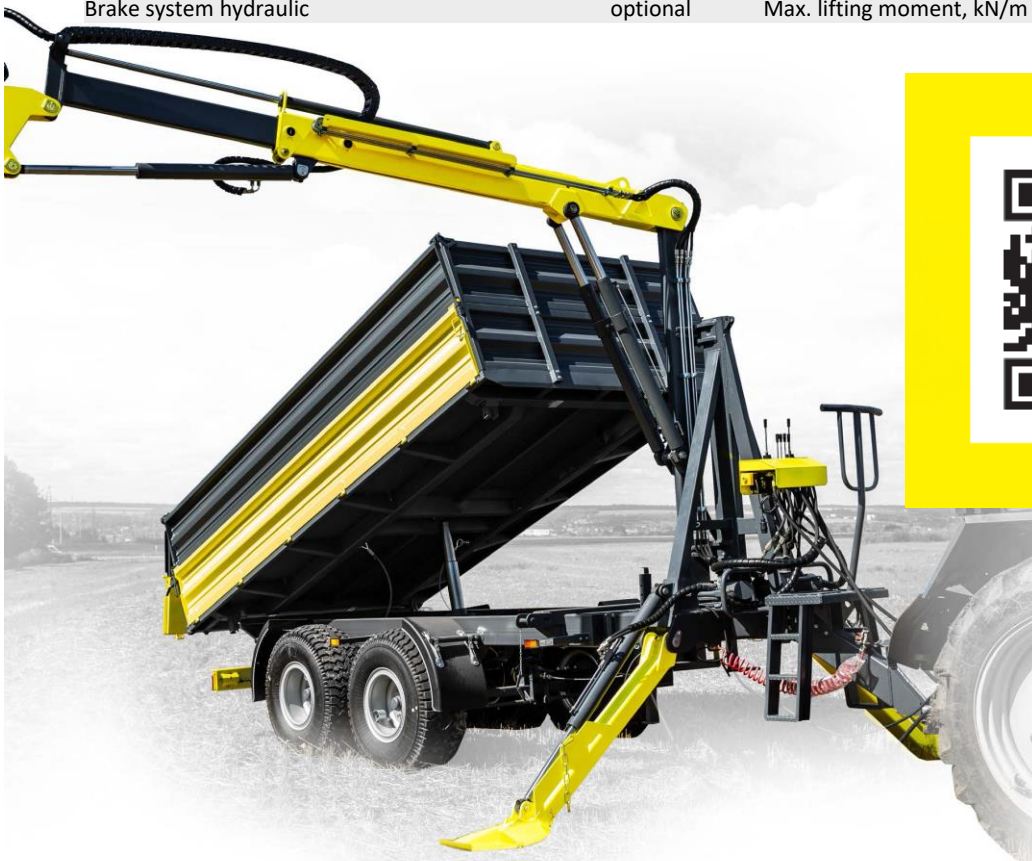
DL Agromaster is an agricultural dump trailer (10 t, 10m³) with a loader-crane mounted on the draw-bar. Double girder reinforced frame and biaxial spring tandem FAD (Italy) increase reliability of **DL Agromaster** performance afield and in other hard conditions.

DL Agromaster was primarily designed for using in agriculture as a loading/unloading complex and a transport trailer for Big Bags with seeds and fertilizers, bales, bulk materials, pallets etc.

This model is used in a wide variety of areas like agriculture, communal sphere, forestry etc. The range of crane accessories makes **DL Agromaster** indispensable at your farm.

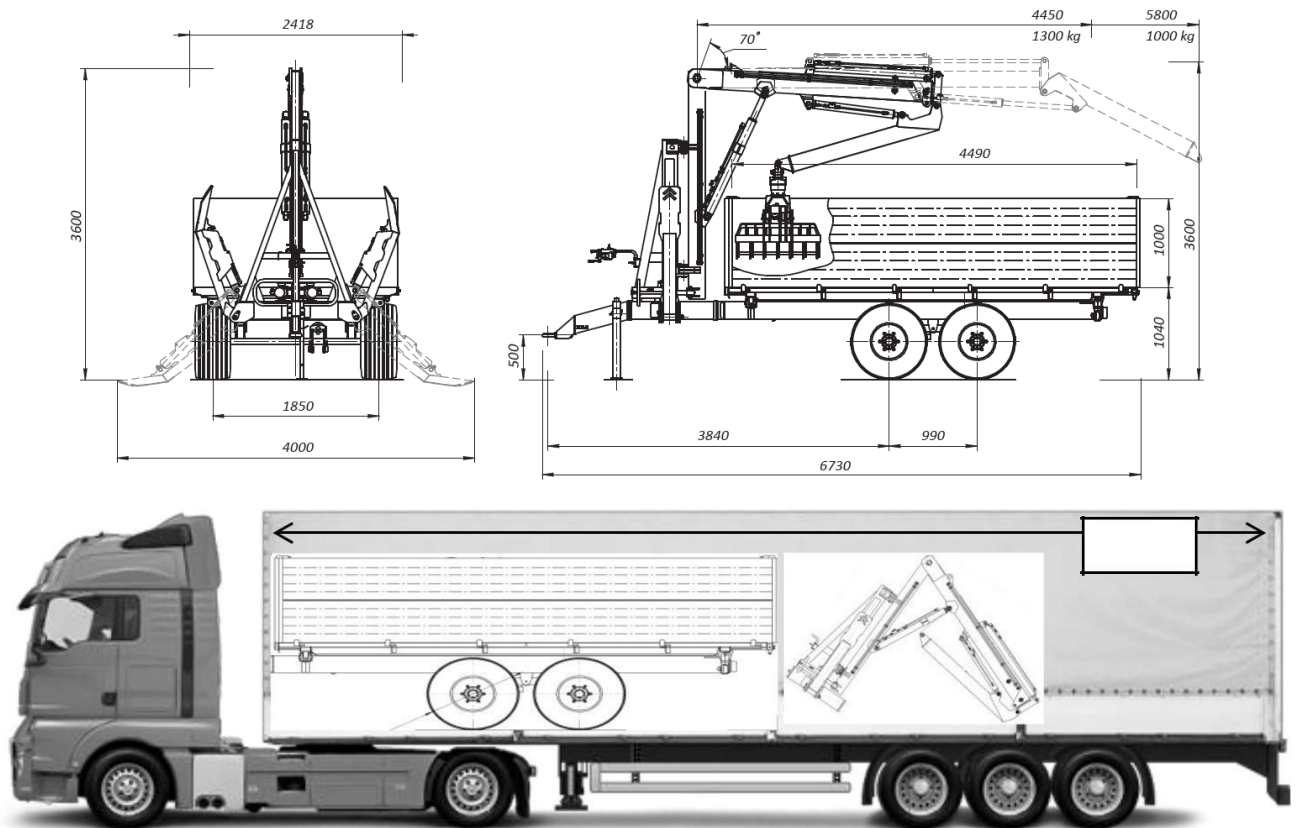
DL Agromaster Specifications

Trailer weight, kg.	2 000	Crane weight, kg	1200
Trailer max. loading capacity, kg	10000	Max. Horizontal reach, m.	5.65
Loading bed, m ³	10	Max. Reach lifting capacity, kg.	1000
Wiring	12 V	Min. Reach lifting capacity, kg.	1750
Frame profile, mm.	200x100x6	Max. Vertical reach, m.	8.30
Tandem axle	FAD (Italy)	Slewing angle, degree	160
Wheel hub	6 holes	Outrigger hydraulic, pcs	2
Tire size	400/60-15,5	Tractor hydraulic flow, L/min.	40
Brake system on 1st axle	pneumatic	Working pressure, bar.	180
Road lights	+	Control valve, 8 sections Akon (Turkey)	RM-168
Dump trailer 3 side unloading	+	Check valve, pcs.	8
Drawbar 500 mm from ground, ring	Ø50 mm	Caution signal button	+
Wiring 24 V	optional	Inclinometer	+
Flatbed trailer	optional	Hook and Fork Grapple with rotator	+
Brake system hydraulic	optional	Max. lifting moment, kN/m	40



DL Agromaster

Dimensions



Options

Grapples



DL-C2U



DL-C4U



DL-70.44.U



DL-S.14U

DLight West LLC
Warszawa, Poland
E-mail: web@dlwest.eu
<https://dlwest.eu>
Phone: +48 22 266 26 24
Mobile: +380504780301 (Viber, WhatsApp)