

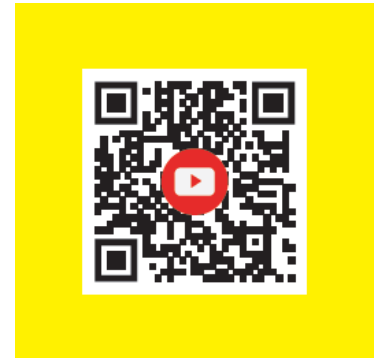
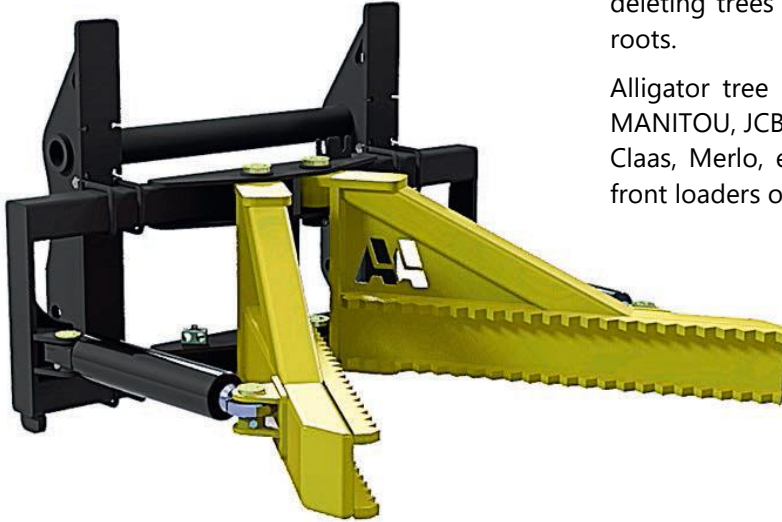
TREE PULLERS

Tree Puller

Alligator

Tree puller Alligator is designed for clearing the territories from trees and bushes. The equipment allows deleting trees with the diameter of up to 25 cm with roots.

Alligator tree puller can be attached to telehandlers MANITOU, JCB, Dieci, BobCat, Caterpillar, NewHolland, Claas, Merlo, etc. The puller can also be attached to front loaders or three-point hitch of tractors.



Alligator

Specifications

diameter of trees (min/max), mm
dimensions (Length/Width/Height), mm
weight (dry/operating), kg

30/250
1200/1200/470
245/255 ± 5



Tree Puller

Crocodile



Tree Puller Crocodile is designed for destroying roots under the soil and trees pulling. This device is used for clearing the wooded fields, ground sites, and obstacles.

It is ideal for removal of trees, bushes with strong root systems or trees and bushes grow on tough soils.

Crocodile

Specifications

Diameter of trees (min/max), mm	30/250
Dimensions (Length/Width/Height), mm	1821/1200/586
Weight (dry/operating), kg	245/255 ± 5
Oil pressure in the hydraulic system, bar	180



DLight West LLC
Warszawa, Poland
E-mail: web@dlwest.eu
<https://dlwest.eu>
Phone: +48 22 266 26 24